

Model IPS-4 Analyzer

With NDIR Platform and Integrated Sampling Conditioning

Features

- **Multiple Gas Capability**
CO, CO₂, CH₄, H₂O, and more
- **Analog and Digital Connectivity**
Modbus, Ethernet and Web browser-based interface
- **NEMA 4 Enclosure Houses All Components**
Designed for outdoor installation; no exposed components
- **Fully Integrated Sample Conditioning**
No need for site integration

Finding the right process on-line analyzer for your application can be a time consuming experience. Users are looking for cost effective, low-maintenance solutions for on-line process gas analysis. AMETEK has been offering such customized solutions to meet your specific application needs for well over four decades. The IPS-4 NDIR analyzer, built on our field proven IPS-4 UV-VIS platform, offers unparalleled reliability, enhanced analog and digital connectivity all in a nicely packaged field installable unit. The analyzer is easy-to-use and is durable enough to be installed in outdoor, wash-down, hazardous, and environmentally harsh locations. The integrated sample conditioning makes the analyzer installation simple and easy to maintain.

Why AMETEK?

Worldwide Support

- Sales and service support through a network of direct and factory-trained global distribution channels
- Factory, on-site training courses offered throughout the year
- 24/7/365 AMETEK Service Assistance Program
- Regional training centers

Process Gas Analysis ... Core Competency

- Providing process instrumentation to industry since 1962
- Widest range of analysis technology in the industry

Unique Solutions

- Custom-designed solutions to meet the needs of your application or process
- Process application consulting available



Performance Specifications

Analyzer Range: ppm to 100% depending upon specific application

Zero Drift: <1% full scale range

Linearity (independent): <2% full scale range

Accuracy: <2% full scale range

Repeatability: <2% full scale range

Response Time: <2 seconds photometric response, <30 seconds to T90

Components: up to 5 components can be measured

Inputs:

2 non-isolated analog inputs (0-5V, 0/4-20mA)

2 optically isolated discrete DC inputs

22 key piezoelectric keypad

Outputs:

265 x 64 pixel vacuum fluorescent display with multi-lingual capability (language options include English, Spanish, French, German, Russian. This is a partial listing. Contact AMETEK for more information)

2 isolated analog outputs (0/4-20 mA) (Two additional analog outputs optional)

8 dry relay contacts (NO, 100VA, 240 V)

RS485 isolated (supports MODBUS RTU)

RS232 non-isolated

Fast Ethernet (IEE802.3)

Sample System Limits:

Sample Pressure: Up to 100 barg (1450 psig) for some configurations

Oven Temperature: Oven heater capable of maintaining 150°C (300°F)

Utility Requirements:

Electrical:
120 VAC (105 to 132 VAC), 47 to 63 Hz

240 VAC (209 to 264 VAC), 47 to 63 Hz

Power Consumption:

<700 W with oven heater

<300 W without oven heater

Instrument Air: 4.8-6.9 barg (70-100 psig)

Environmental Requirements:

Ambient Temperature: -20° to 50°C (-4° to 122°F) without external heating or cooling

Ingress protection:

IP65 and NEMA 4 for stainless steel enclosure

IP65 for painted enclosure

Enclosure Material: painted steel, stainless steel optional

Physical Dimensions:

(W x H x D): 78 cm x 53 cm x 30 cm (30.7" x 20.9" x 11.8")

Weight: 66 kg (145 lb.) for base system

Approvals and Certifications:

NEC/CEC and CE General Safety requirements.

General purpose model:

NEC/CEC Class I Div 2
Groups ABCD

NEC/CEC Class II Div 2
Groups F,G

NEC/CEC Class III

Approvals and Certifications (pending):

ATEX II 3 EEx mn IIC T3

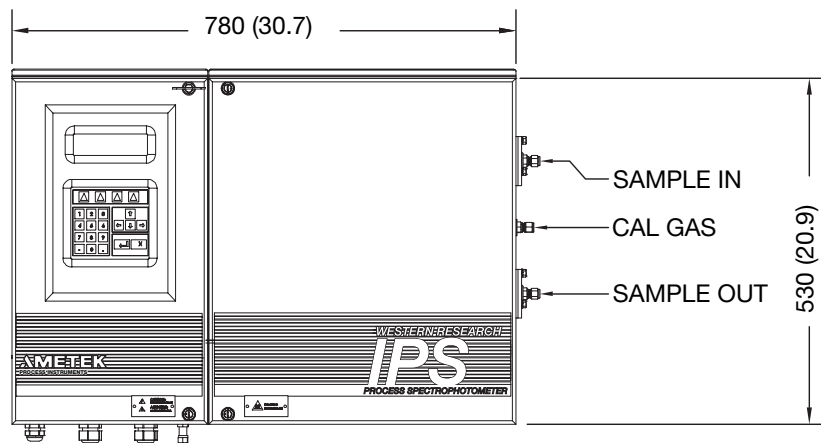
Zone 1/Div 1 option:

Class I Div 1 Groups ABCD

Class II Div 1 Groups F,G

Class III

EX II 2 G EEx mnp IIC T3



FRONT VIEW

General purpose model shown



455 Corporate Blvd., Newark, DE 19702
Ph. +1-302-456-4400, Fax +1-302-456-4444
www.ametekpi.com



© 2007, by AMETEK, Inc.
All rights reserved. Printed in the U.S.A.
IPS4-NDIR (02/20/07) PDF

One of a family of innovative process analyzer solutions from AMETEK Process Instruments.
Specifications subject to change without notice.

SALES AND MANUFACTURING:

CANADA - Alberta
2876 Sunridge Way N.E., Calgary, AB T1Y 7H9 • Tel: 403-235-8400, Fax: 403-248-3550

USA - Oklahoma
2001 N. Indianwood Ave., Broken Arrow OK 74012 • Tel: 918-250-7200, Fax: 918-459-0165

USA - Pennsylvania
150 Freeport Road, Pittsburgh PA 15238 • Tel: 412-828-9040, Fax: 412-826-0399

WORLDWIDE SALES AND SERVICE LOCATIONS:

USA - Texas
Tel: 281-463-2820, Fax: 281-463-2701

CHINA
Beijing / Tel: 86 10 8526 2111, Fax: 86 10 8526 2141
Chengdu / Tel: 86 28 8675 8111, Fax: 86 28 8675 8141
Shanghai / Tel: 86 21 6426 7049, Fax: 86 21 6426 7054

FRANCE
Tel: 33 1 30 68 89 00, Fax: 33 1 30 68 89 99

GERMANY
Tel: 49 21 59 91 36 0, Fax: 49 21 59 91 3680

MIDDLE EAST - Dubai
Tel: 971 4 881 2052, Fax: 971 4 881 2053

SINGAPORE
Tel: 65 6484 2388, Fax: 65 6481 6588