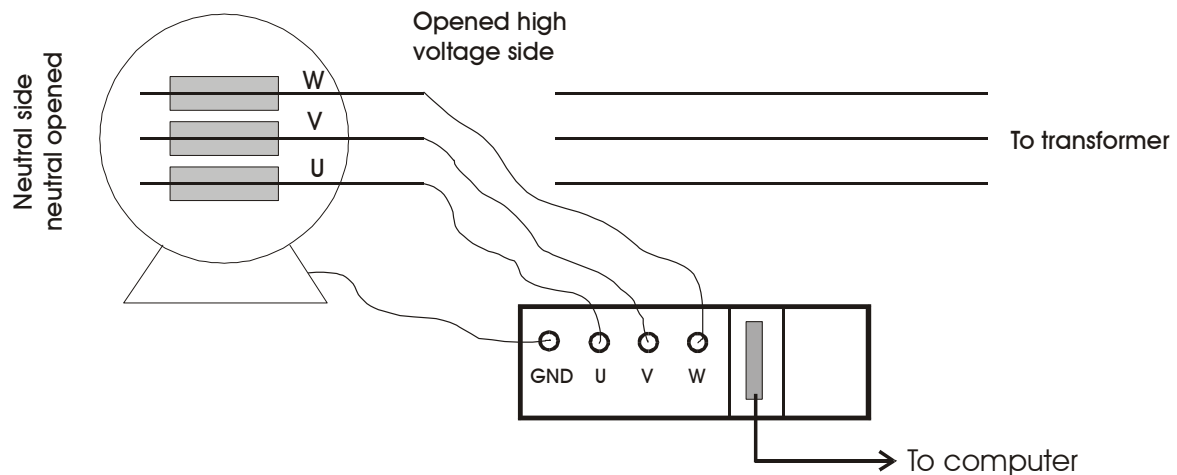


DRA-3

Dielectric Response Analyzer

The dielectric response analysis or DC current-measurement is used for offline-diagnosis for generators and motors and is also applicable to transformers. It measures the charging and discharging currents of the winding insulation of stator or rotor winding. The results of the measurement provide an information about the condition of a machine insulation. (Cleanliness, humidity, ageing, corrosion, resin decomposition....)



The new DRA-3 System allows you to connect all three phases and the ground at one time. The phases will be measured sequentially step by step, without any interaction of the test personnel. The measurement steps are automatically controlled and stored by the computer. With the DRA-3 System you have the possibility to measure all three phases together to ground, each phase separately and between the phases (potential free high voltage source!). Once data is stored, it can be analysed by the evaluation program in order to get a complete report of the measurement including standard parameters as insulation resistance, polarisation index etc.

DRA-3

Dielectric Response Analyzer

Hardware Specifications

Input Voltage: Voltage supply for Notebook:	Universal 90 to 240VAC Same as Input Voltage (galvanically insulated)
Warning Light:	Connector for Warning light, with or without voltage supply.
Highvoltage:	Integrated floated high voltage Source, up to 10kV, pre-set voltages 0.5, 1, 2.5, 5 and 10kV
High Voltage Control:	Integrated 10kV Reed relais, controlled with DIO PC Card
Shunt for current Measurement:	1 Mohm
Current Range:	0.3mA to 0.1 nA, resolution 1pA



Everything included in solid aluminium case (except Notebook). Cables, and clamps are placed into the cover

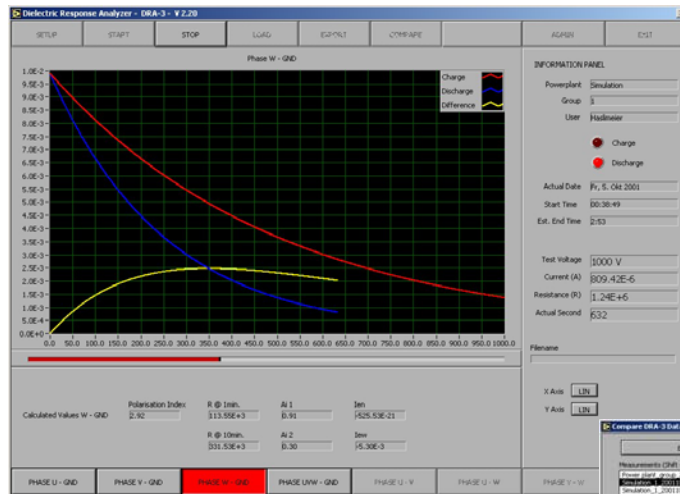
DRA-3

Dielectric Response Analyzer

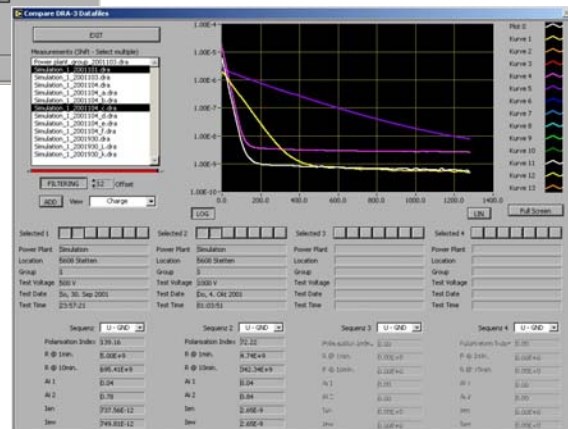


Software Specifications

- Data Acquisition:** fully automatic data acquisition, for Measurements: separate phase to ground, all phases together to ground, and between phase analysis
- Data Handling:** Handling of machine and user data
- Evaluation:** automatic calculation of parameters as polarisation Index, insulation resistance, absorption index etc.
- Comparison:** Included comparison Software, for comparison of up to 4 different measurements
- Data Report:** Automatic export to Microsoft Excel 2000 & XP



Left picture:
Screen shot of main data acquisition screen



right picture:
screen of comparison window

DRA-3

Dielectric Response Analyzer



Scope of supply

DRA-3 Instrument with integrated high voltage power supply, multimeter, insulation transformer, highvoltage switching unit.

Highvoltage coaxial cable kit (4x 5m) with clamps

PCMCIA Data Card, including signal cable

Microsoft windows based Software

Optional : Notebook